



FusionSolar[®] Utility Smart PV Solution

SOLAR.HUAWEI.COM





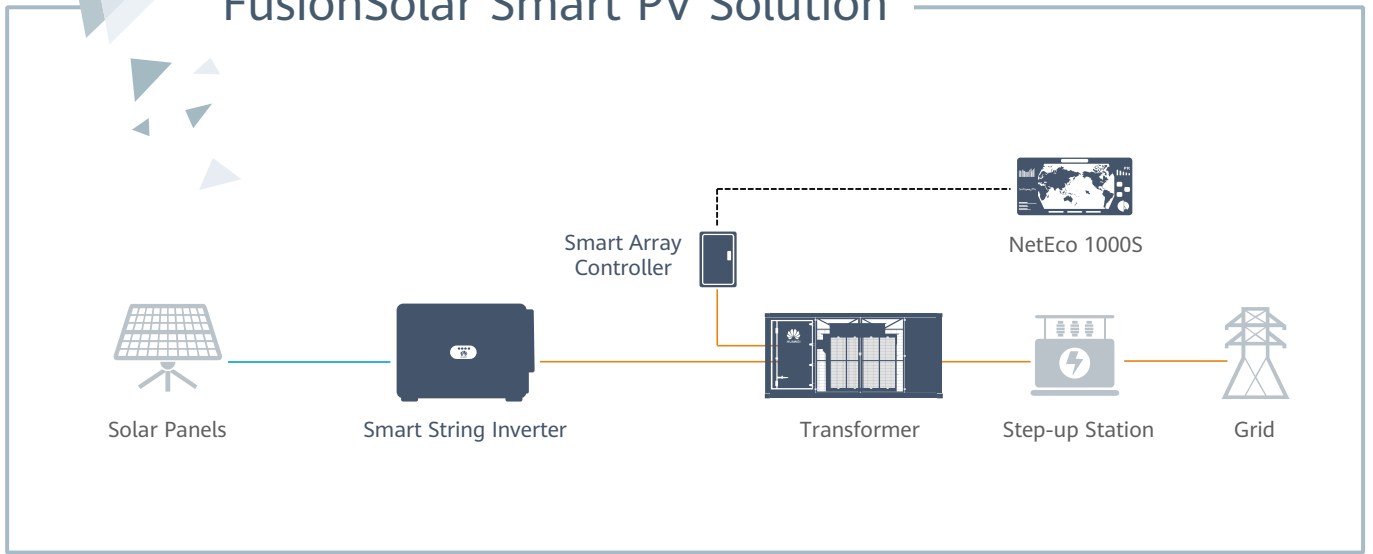
About Huawei

Huawei is a leading global provider of information and communications technology (ICT) infrastructure and smart devices. With integrated solutions across four key domains – telecom networks, IT, smart devices, and cloud services – we are committed to bringing digital to every person, home and organization for a fully connected, intelligent world. Huawei's end-to-end portfolio of products, solutions and services are both competitive and secure. Through open collaboration with ecosystem partners, we create lasting value for our customers, working to empower people, enrich home life, and inspire innovation in organizations of all shapes and sizes. At Huawei, innovation focuses on customer needs. We invest heavily in basic research, concentrating on technological breakthroughs that drive the world forward.

Our 2018 sales revenue was US\$105.2 billion, YoY growth of 19.5%.



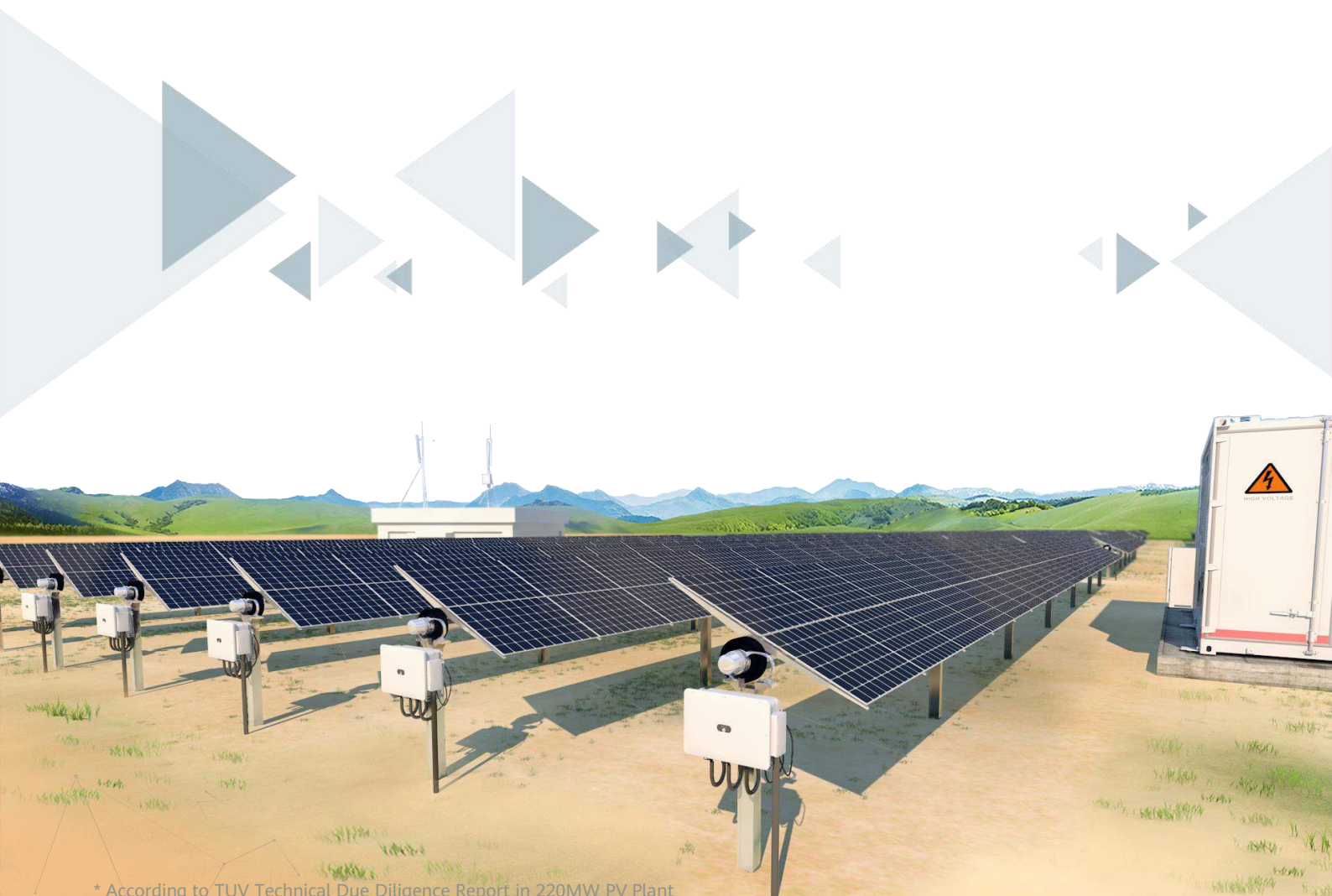
FusionSolar Smart PV Solution



Higher Yields
>2% Higher*

Smart O&M
Lower OPEX

Safe & Reliable
25-year's Reliability



* According to TUV Technical Due Diligence Report in 220MW PV Plant

SUN2000-185KTL-H1

Smart String Inverter



9
MPP Trackers



99.0%
Max. Efficiency



String-level
Management



Smart I-V Curve
Diagnosis Supported



MBUS
Supported



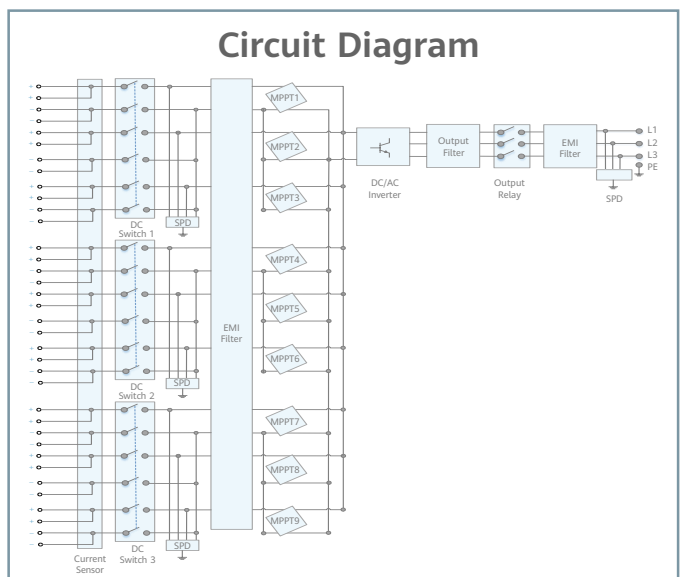
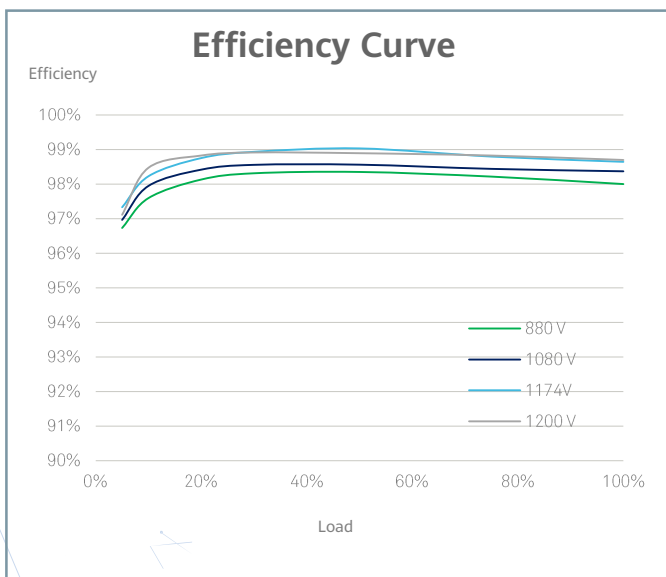
Fuse Free
Design



Surge Arresters
for DC & AC



IP66
Protection



Technical Specifications

Efficiency	
Max. Efficiency	99.03%
European Efficiency	98.69%
Input	
Max. Input Voltage	1,500 V
Max. Current per MPPT	26 A
Max. Short Circuit Current per MPPT	40 A
Start Voltage	550 V
MPPT Operating Voltage Range	500 V ~ 1,500 V
Nominal Input Voltage	1,080 V
Number of Inputs	18
Number of MPP Trackers	9
Output	
Nominal AC Active Power	185,000 W @25°C, 175,000 W @40°C
Max. AC Apparent Power	185,000 VA
Max. AC Active Power (cosφ=1)	185,000 W
Nominal Output Voltage	800 V, 3W + PE
Rated AC Grid Frequency	50 Hz / 60 Hz
Nominal Output Current	134.9 A @25°C, 126.3 A @40°C
Max. Output Current	134.9 A
Adjustable Power Factor Range	0.8 LG ... 0.8 LD
Max. Total Harmonic Distortion	< 3%
Protection	
Input-side Disconnection Device	Yes
Anti-islanding Protection	Yes
AC Overcurrent Protection	Yes
DC Reverse-polarity Protection	Yes
PV-array String Fault Monitoring	Yes
DC Surge Arrester	Type II
AC Surge Arrester	Type II
DC Insulation Resistance Detection	Yes
Residual Current Monitoring Unit	Yes
Communication	
Display	LED Indicators, Bluetooth/WLAN + APP
USB	Yes
MBUS	Yes
RS485	Yes
General	
Dimensions (W x H x D)	1,035 x 700 x 365 mm (40.7 x 27.6 x 14.4 inch)
Weight (with mounting plate)	84 kg (185.2 lb.)
Operating Temperature Range	-25°C ~ 60°C (-13°F ~ 140°F)
Cooling Method	Smart Air Cooling
Max. Operating Altitude without Derating	4,000 m (13,123 ft.)
Relative Humidity	0 ~ 100%
DC Connector	Staubli MC4 EVO2
AC Connector	Waterproof Connector + OT/DT Terminal
Protection Degree	IP66
Topology	Transformerless
Standard Compliance (more available upon request)	
Certificate	EN 62109-1/-2, IEC 62109-1/-2, IEC 62920, EN 50530, IEC 62116, IEC 60068, IEC 61683, IEC 61727, IEC 62910, P.O. 12.3, RD 1699, RD 661, RD 413, RD 1565, RD 1663, UNE 206007-1, UNE 206006

SUN2000-105KTL-H1

Smart String Inverter



6
MPP Trackers



99.0%
Max. Efficiency



VA
String-level
Management



Smart I-V Curve
Diagnosis Supported



Residual Current
Monitoring Integrated



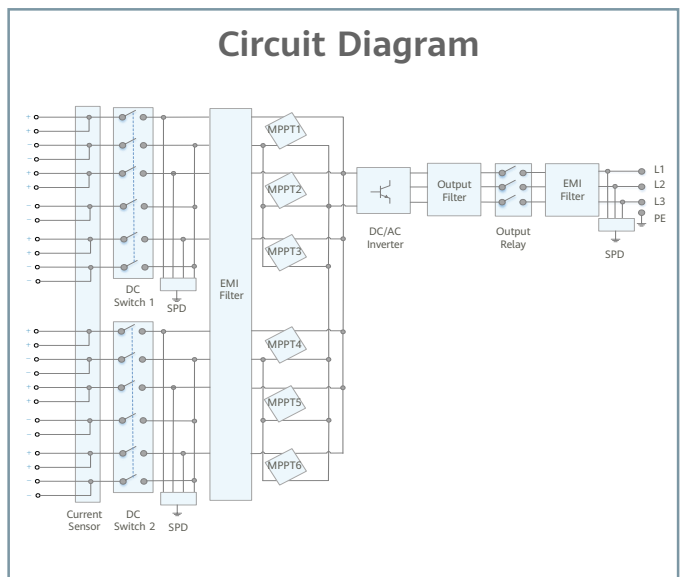
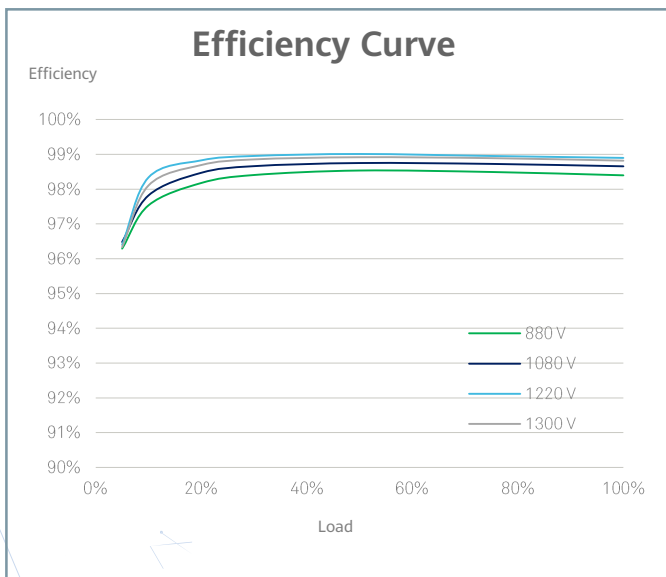
Fuse Free
Design



Surge Arresters
for DC & AC



IP65
Protection



Technical Specifications

Efficiency	
Max. Efficiency	99.0%
European Efficiency	98.8%
Input	
Max. Input Voltage	1,500 V
Max. Current per MPPT	25 A
Max. Short Circuit Current per MPPT	33 A
Start Voltage	650 V
MPPT Operating Voltage Range	600 V ~ 1,500 V
Rated Input Voltage	1,080 V
Number of Inputs	12
Number of MPP Trackers	6
Output	
Rated AC Active Power	105,000 W @40°C
Max. AC Apparent Power	116,000 VA @25°C
Max. AC Active Power (cosφ=1)	116,000 W @25°C
Rated Output Voltage	800 V, 3W + PE
Rated AC Grid Frequency	50 Hz / 60 Hz
Rated Output Current	75.8 A
Max. Output Current	84.6 A
Adjustable Power Factor Range	0.8 LG ... 0.8 LD
Max. Total Harmonic Distortion	< 3%
Protection	
Input-side Disconnection Device	Yes
Anti-islanding Protection	Yes
AC Overcurrent Protection	Yes
DC Reverse-polarity Protection	Yes
PV-array String Fault Monitoring	Yes
DC Surge Arrester	Type II
AC Surge Arrester	Type II
DC Insulation Resistance Detection	Yes
Residual Current Monitoring Unit	Yes
Communication	
Display	LED Indicators, Bluetooth/WLAN + APP
USB	Yes
RS485	Yes
Power Line Communication (PLC)	Yes
General	
Dimensions (W x H x D)	1,075 x 605 x 310 mm (42.3 x 23.8 x 12.2 inch)
Weight (with mounting plate)	79 kg (174.2 lb.)
Operating Temperature Range	-25°C ~ 60°C (-13°F ~ 140°F)
Cooling Method	Natural Convection
Max. Operating Altitude	4,000 m (13,123 ft.)
Relative Humidity	0 ~ 100%
DC Connector	Amphenol UTX
AC Connector	Waterproof PG Connector + OT/DT Terminal
Protection Degree	IP65
Topology	Transformerless
Standard Compliance (more available upon request)	
Certificate	EN 62109-1/-2, IEC 62109-1/-2, IEC 62116, EN 50530, IEC 60068, IEC 61683, IEC 61727, UTE C15-712-1, RD 413, RD 1699, RD 661, RD 1565, P.O. 12.3, UNE 206007-1 IN, UNE 206006 IN, G59/3, CEI 0-16,VDE4120

SUN2000-100KTL-M1

Smart String Inverter



10
MPP Trackers



98.8%
Max. Efficiency



String-level
Management



Smart I-V Curve
Diagnosis Supported



Residual Current
Monitoring Integrated



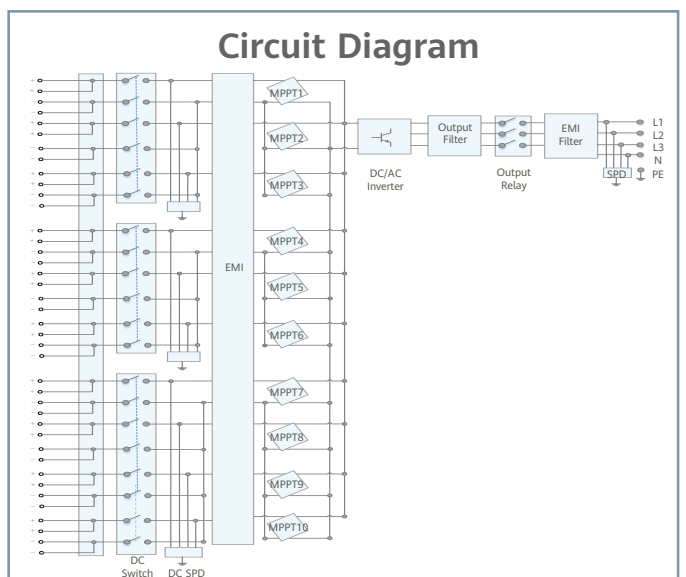
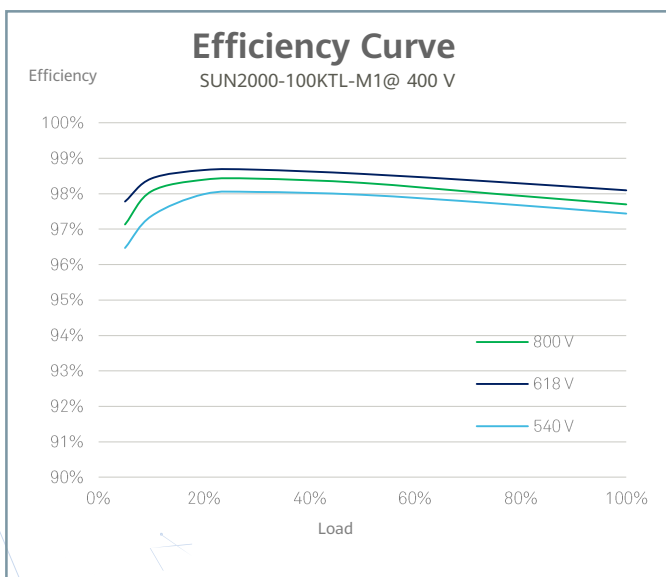
Fuse Free
Design



Surge Arresters
for DC & AC



IP66
Protection



Preliminary Version

Technical Specifications

Efficiency	
Max. Efficiency	98.8% @480 V; 98.6% @380 V/400 V
European Efficiency	98.6% @480 V; 98.4% @380 V/400 V
Input	
Max. Input Voltage	1,100 V
Max. Current per MPPT	26 A
Max. Short Circuit Current per MPPT	40 A
Start Voltage	200 V
MPPT Operating Voltage Range	200 V ~ 1,000 V
Rated Input Voltage	570 V @380 V; 600 V @400 V; 720 V @480 V
Number of Inputs	20
Number of MPP Trackers	10
Output	
Rated AC Active Power	100,000 W (380 V / 400 V / 480 V @40°C)
Max. AC Apparent Power	110,000 VA
Max. AC Active Power (cosφ=1)	110,000 W
Rated Output Voltage	220 V / 230 V, default 3W + N + PE; 380 V / 400 V / 480 V, 3W + PE
Rated AC Grid Frequency	50 Hz / 60 Hz
Rated Output Current	152.0 A @380 V; 144.4 A @400 V; 120.3 A @480 V
Max. Output Current	168.8 A @380 V; 160.4 A @400 V; 133.7 A @480 V
Adjustable Power Factor Range	0.8 LG ... 0.8 LD
Max. Total Harmonic Distortion	<3%
Protection	
Input-side Disconnection Device	Yes
Anti-islanding Protection	Yes
AC Overcurrent Protection	Yes
DC Reverse-polarity Protection	Yes
PV-array String Fault Monitoring	Yes
DC Surge Arrester	Type II
AC Surge Arrester	Type II
DC Insulation Resistance Detection	Yes
Residual Current Monitoring Unit	Yes
Communication	
Display	LED Indicators, Bluetooth/WLAN + APP
USB	Yes
RS485	Yes
MBUS	Yes (isolation transformer required)
General	
Dimensions (W x H x D)	1,035 x 700 x 365mm (40.7 x 27.6x 14.4 inch)
Weight (with mounting plate)	90 kg (187.4 lb.)
Operating Temperature Range	-25°C ~ 60°C (-13°F ~ 140°F)
Cooling Method	Smart Air Cooling
Max. Operating Altitude	4,000 m (13,123 ft.)
Relative Humidity	0 ~ 100%
DC Connector	Staubli MC4
AC Connector	Waterproof Connector + OT/DT Terminal
Protection Degree	IP66
Topology	Transformerless

Preliminary Version

SUN2000-60KTL-M0

Smart String Inverter



6
MPP Trackers



98.9% (@480V)
Max. Efficiency



String-level
Management



Smart I-V Curve
Diagnosis Supported



Residual Current
Monitoring Integrated



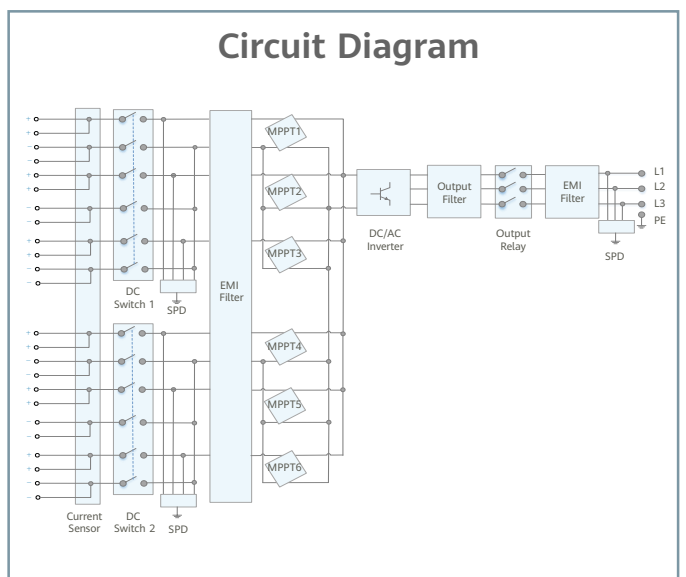
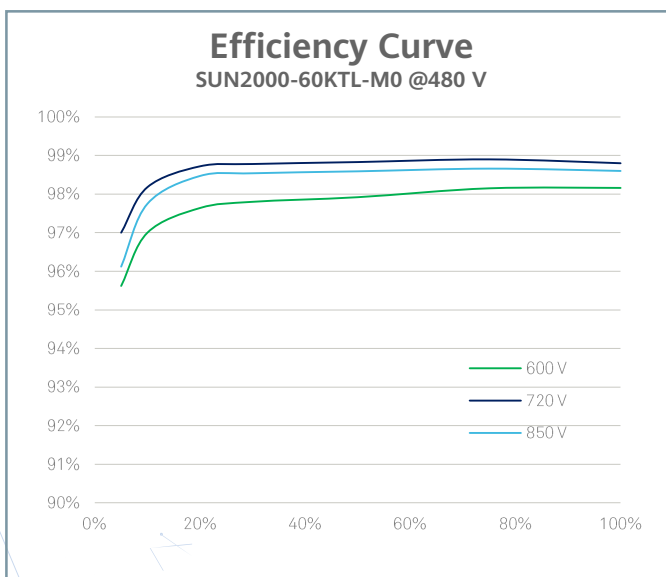
Fuse Free
Design



Surge Arresters
for DC & AC

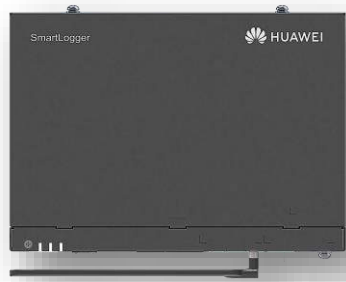


IP65
Protection



Technical Specifications

Efficiency	
Max. Efficiency	98.9% @480 V; 98.7% @380 V / 400 V
European Efficiency	98.7% @480 V; 98.5% @380 V / 400 V
Input	
Max. Input Voltage	1,100 V
Max. Current per MPPT	22 A
Max. Short Circuit Current per MPPT	30 A
Start Voltage	200 V
MPPT Operating Voltage Range	200 V ~ 1,000 V
Rated Input Voltage	720 V@ 480 Vac; 600V @380 Vac / 400 Vac
Number of Inputs	12
Number of MPP Trackers	6
Output	
Rated AC Active Power	60,000 W
Max. AC Apparent Power	66,000 VA
Max. AC Active Power (cosφ=1)	66,000 W
Rated Output Voltage	220 V / 380 V, 230 V / 400 V, default 3W + N + PE; 3W + PE optional in settings; 277 V / 480 V, 3W + PE
Rated AC Grid Frequency	50 Hz / 60 Hz
Rated Output Current	91.2 A @380 V, 86.7 A @400 V, 72.2 A @480 V
Max. Output Current	100 A @380 V, 95.3 A @400 V, 79.4 A @480 V
Adjustable Power Factor Range	0.8 LG ... 0.8 LD
Max. Total Harmonic Distortion	< 3%
Protection	
Input-side Disconnection Device	Yes
Anti-islanding Protection	Yes
AC Overcurrent Protection	Yes
DC Reverse-polarity Protection	Yes
PV-array String Fault Monitoring	Yes
DC Surge Arrester	Type II
AC Surge Arrester	Type II
DC Insulation Resistance Detection	Yes
Residual Current Monitoring Unit	Yes
Communication	
Display	LED Indicators, Bluetooth/WLAN + APP
USB	Yes
RS485	Yes
Power Line Communication (PLC)	Yes
General	
Dimensions (W x H x D)	1,075 x 555 x 300 mm (42.3 x 21.9 x 11.8 inch)
Weight (with mounting plate)	74 kg (163.1 lb.)
Operating Temperature Range	-25°C ~ 60°C (-13°F ~ 140°F)
Cooling Method	Natural Convection
Max. Operating Altitude	4,000 m (13,123 ft.)
Relative Humidity	0 ~ 100%
DC Connector	Amphenol Helios H4
AC Connector	Waterproof PG Connector + OT Terminal
Protection Degree	IP65
Topology	Transformerless
Standard Compliance (more available upon request)	
Certificate	EN 62109-1/-2, IEC 62109-1/-2, EN 50530, IEC 62116, IEC 60068, IEC 61683, IEC 61727, VDE-AR-N4105, VDE 0126-1-1, BDEW, VDE 4120, UTE C 15-712-1, CEI 0-16, CEI 0-21, RD 661, RD 1699,P.O. 12.3, RD 413, EN-50438-Turkey, EN-50438-Ireland, C10/11



Smart

Smart zero export control design



Simple

Easy to install on site



Reliable

Safety by lightning protection module

Technical Specification	SmartLogger3000A
Device Management	
Max. Number of Connected Devices	80
Communication Interface	
WAN	WAN x 1, 10 / 100 / 1000 Mbps
LAN	LAN x 1, 10 / 100 / 1000 Mbps
RS485	COM x 3, 1200 / 2400 / 4800 / 9600 / 19200 / 115200 bps, 1000 m
MBUS	MBUS x 1, 115.2 kbps, Compatible with PLC
2G / 3G / 4G	LTE(FDD) : B1,B2,B3,B4,B5,B7,B8,B20 DC-HSPA+/HSPA+/HSPA/UMTS : 850/900/1900/2100 MHz GSM/GPRS/EDGE: 850/900/1800/1900 MHz ²
Digital / Analog Input / Output	DI x 4, DO x 2, AI x 4
Active DO	12V, 100mA (connection with relay, sensor)
Communication Protocol	
Ethernet	Modbus-TCP, IEC 60870-5-104
RS485	Modbus-RTU, IEC 60870-5-103 (standard), DL / T645
Interaction	
LED	LED Indicator x 3 – RUN, ALM, 4G
WEB	Embedded Web
USB	USB 2.0 x 1
APP	Communication by WLAN for Commissioning
Environment	
Operating Temperature Range	-40°C ~ 60°C (-40°F ~ 140°F)
Storage Temperature	-40°C ~ 70°C (-40°F ~ 158°F)
Relative Humidity (Non-condensing)	5% ~ 95%
Max. Operating Altitude	4,000 m (13,123 ft.)
Electrical	
AC Power Supply	100 V ~ 240 V, 50 Hz / 60 Hz
DC Power Supply	12 V / 24 V
Power Consumption	Typical 8 W, Max. 15 W
Mechanical	
Dimensions (W x H x D)	225 x 160 x 44 mm (8.9 x 6.3 x 1.7 inch, without mounting ears and antenna)
Weight	2 kg (4.4 lb.)
Protection Degree	IP20
Installation Options	Wall Mounting, DIN Rail Mounting, Tabletop Mounting

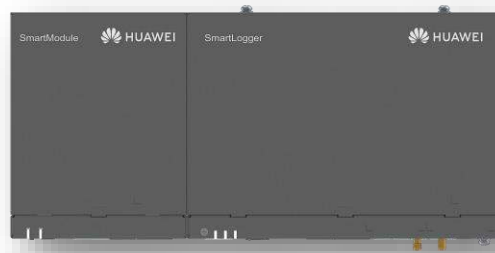
1: When putting inside metal box, extended antenna will be needed.

2: For recommended carriers list and details on supported frequencies, please contact local distributors.

SmartLogger3000B



Without SmartModule1000A



With SmartModule1000A



Smart

Connecting up to 150 inverters,
One-click commissioning



Simple

Deployment wizard allowed, including
parameters configuration, devices connection



Reliable

Industrial-level application
and high reliability

Technical Specification	SmartLogger3000B	SmartLogger3000B SmartModule1000A
Device Management		
Max. Number of Manageable Devices	200	
Max. Number of Manageable Inverters	150	
Communication Interface		
WAN	WAN x 1, 10 / 100 / 1000 Mbps	
LAN	LAN x 1, 10 / 100 / 1000 Mbps	LAN x 3, 10 / 100 / 1000 Mbps
Optical Ethernet	SFP x 2, 100 / 1000 Mbps	
MBUS	MBUS x 1, 115.2 kbps, Compatible with PLC	
RS485	COM x 3, 1200 / 2400 / 4800 / 9600 / 19200 / 115200 bps	COM x 6 1200 / 2400 / 4800 / 9600 / 19200 / 115200 bps
Digital / Analog Input / Output	DI x 4, DO x 2, AI x 4	DI x 8, DO x 2, AI x 7
PT100 / PT1000	0	2
Active DO	12 V, 100 mA (connection with relay, sensor)	
Lighting Protection Module	Yes	
Communication Protocol		
Ethernet	Modbus-TCP, IEC 60870-5-104	
RS485	Modbus-RTU, IEC 60870-5-103 (standard), DL / T645	
Interaction		
LED	LED Indicator x 3 – RUN, ALM, 4G	LED Indicator x 5 – RUN, ALM, 4G; RUN, ALM
WEB	Embedded Web	
USB	USB 2.0 x 1	
APP	Communication by WLAN for Commissioning	
Environment		
Operating Temperature Range	-40°C ~ 60°C (-40°F ~ 140°F)	
Storage Temperature	-40°C ~ 70°C (-40°F ~ 158°F)	
Relative Humidity (Non-condensing)	5% ~ 95%	
Max. Operating Altitude	4,000 m (13,123 ft.)	
Electrical		
AC Power Supply	100 V ~ 240 V, 50 Hz / 60 Hz	
DC Power Supply	12 V / 24 V	
Power Consumption	Typical 8 W, Max. 15 W	Typical 10 W, Max. 18 W
Mechanical		
Dimensions (W x H x D)	225 x 160 x 44 mm (8.9 x 6.3 x 1.7 inch) Without mounting ears	350 x 160 x 44 mm (13.8 x 6.3 x 1.7 inch) Without mounting ears
Weight	2 kg (4.4 lb.)	3 kg (6.6 lb.)
Protection Degree	IP20	
Installation Options	Wall Mounting, DIN Rail Mounting, Tabletop Mounting	

Preliminary Version

SmartPID2000 Module Inside Smart Array Controller



The SmartPID2000 Module is installed in the SmartACU2000B cabinet to reduce the negative effect of the Potential Induced Degradation (PID), and support 1000 V / 1100 V / 1500 V DC system.



Smart

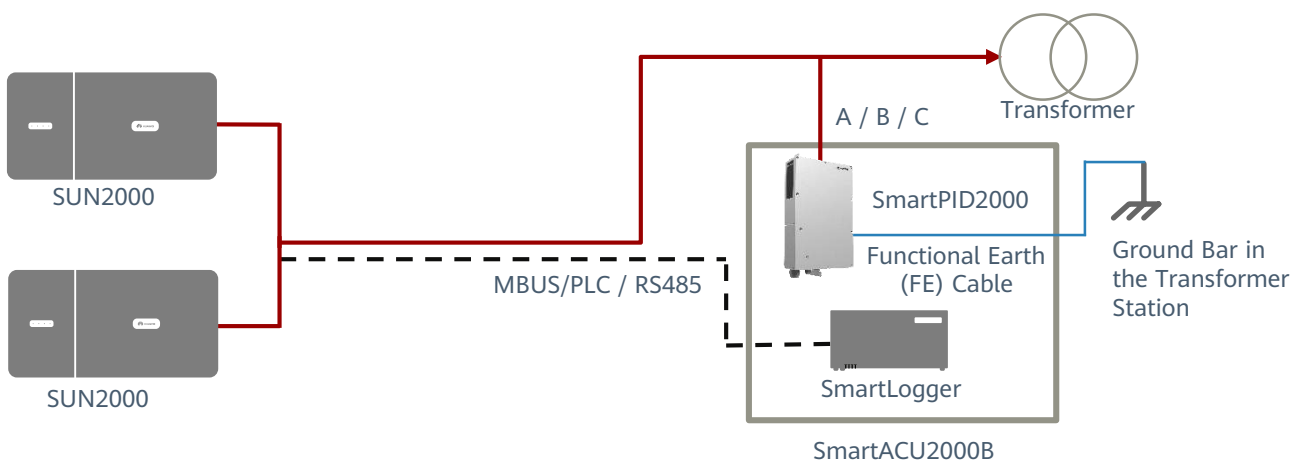
Data read and software upgrade through USB or the embedded Web



Reliable

Protection degree of IP65

SmartPID2000 Solution Diagram

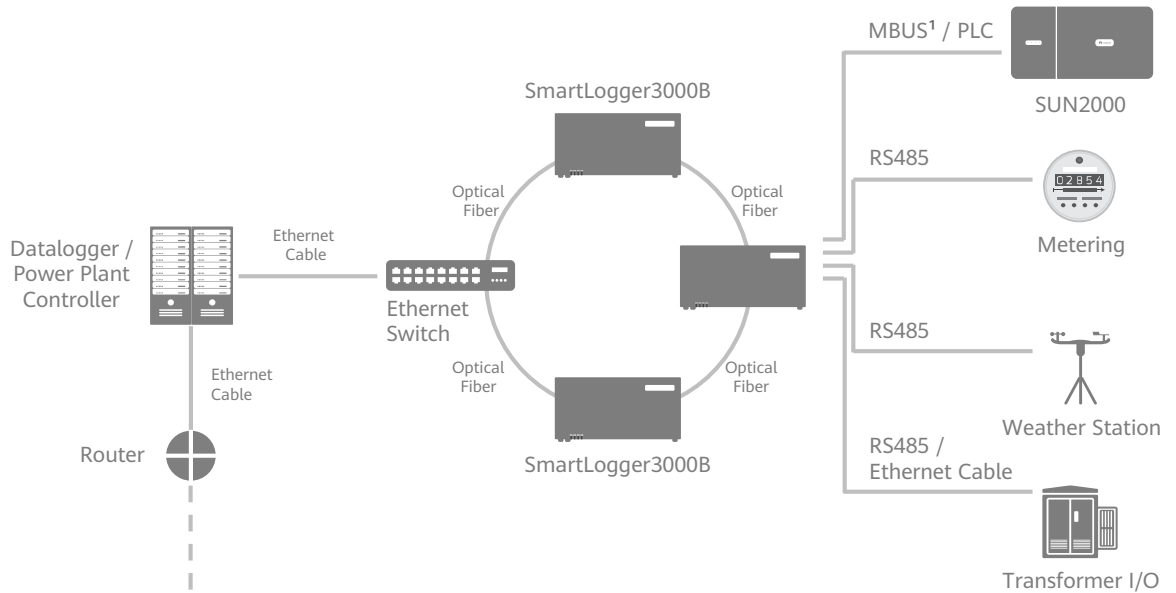


Note:

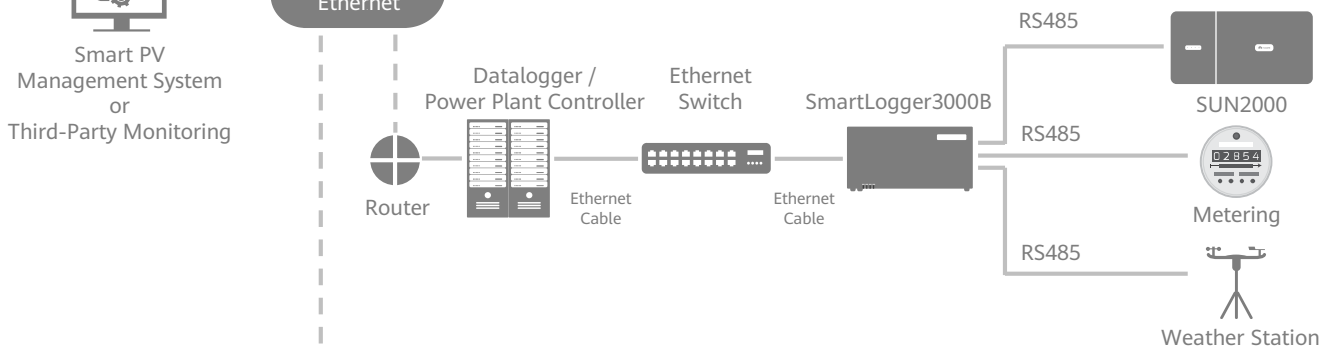
1. The Anti-PID solution could ONLY be deployed in utility installations which are normally connected to the medium voltage (MV) grid running WITHOUT neutral line.
2. The Anti-PID module must work with Huawei SmartLoggers and Huawei inverters.

Network Applications

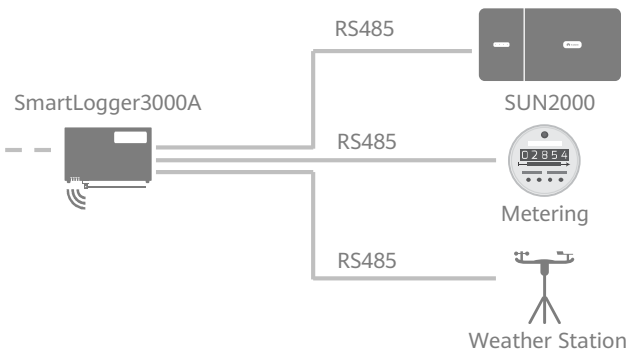
I Optical Fiber Ring Network + MBUS/PLC



II Ethernet Network + RS485



III Wireless Network



1 - Compatible with communication mode of PLC (Power Line Communication).



Smart

Auto faults alarming and reports issuing
Smart I-V Curve Diagnosis supported



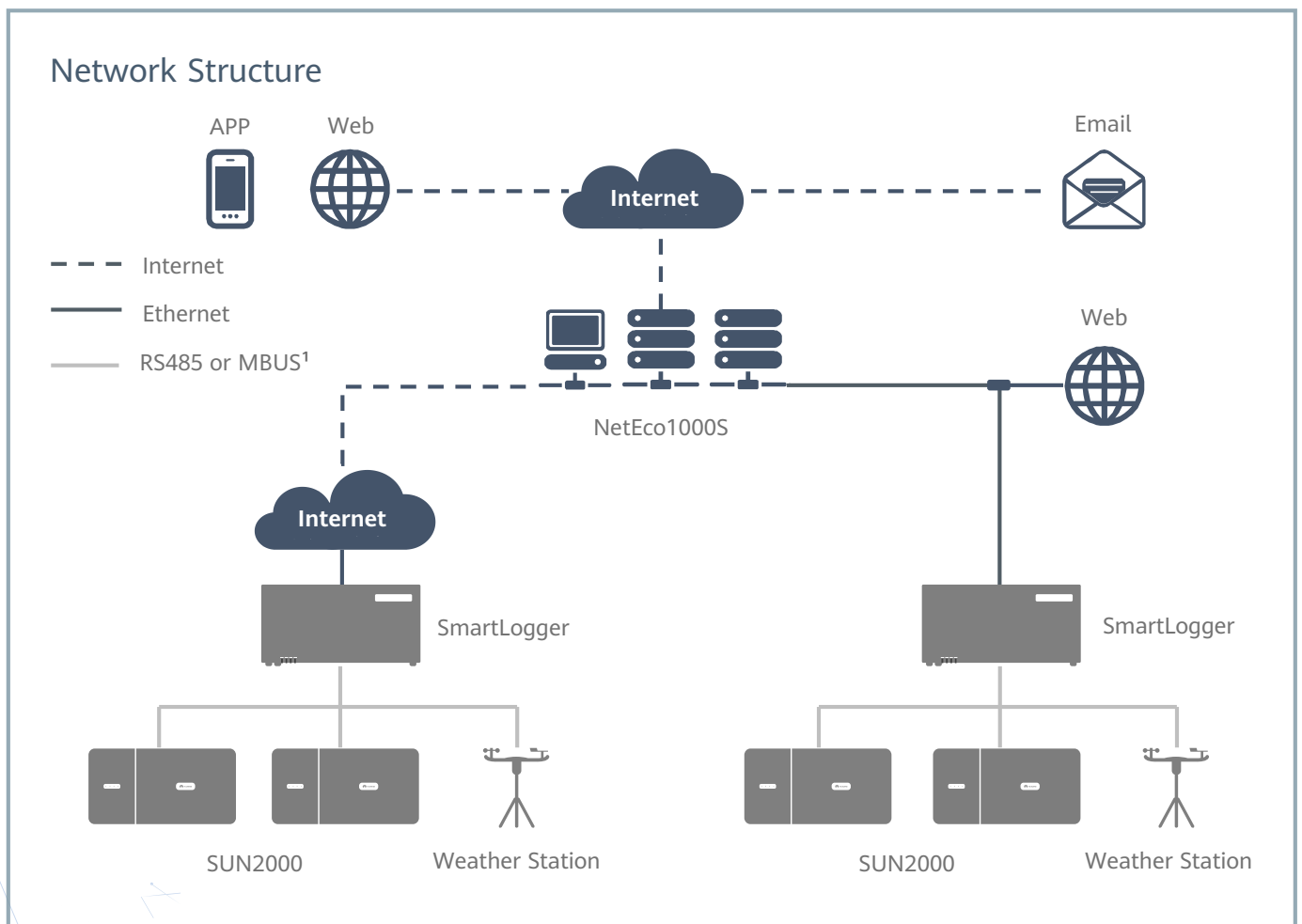
Simple

One-click installation on PC
Fault alarms via SMS and E-mail



Reliable

Hierarchical management
Up to 25 years data storage

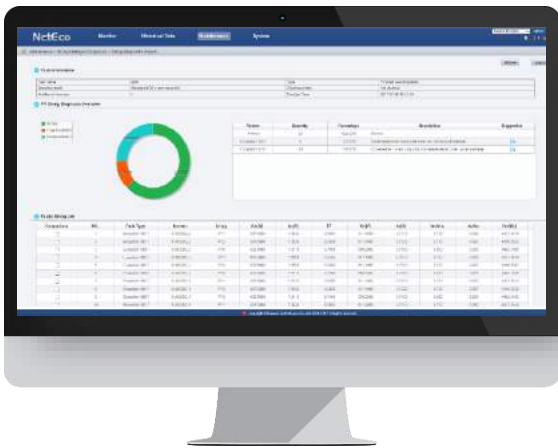


1 - Compatible with communication mode of PLC (Power Line Communication).

Smart I-V Curve Diagnosis



Smart I-V Curve Diagnosis is able to carry out online I-V curve analysis on entire strings with advanced diagnosis algorithm. The scanning would help to find out and identify the strings with low performance or malfunction, which would help to achieve proactive maintenance, higher O&M efficiency and lower operation cost.



Smart

Support plant-level, array-level and inverter-level analysis and diagnosis

Automatically identify different failure types and provide recovery suggestion

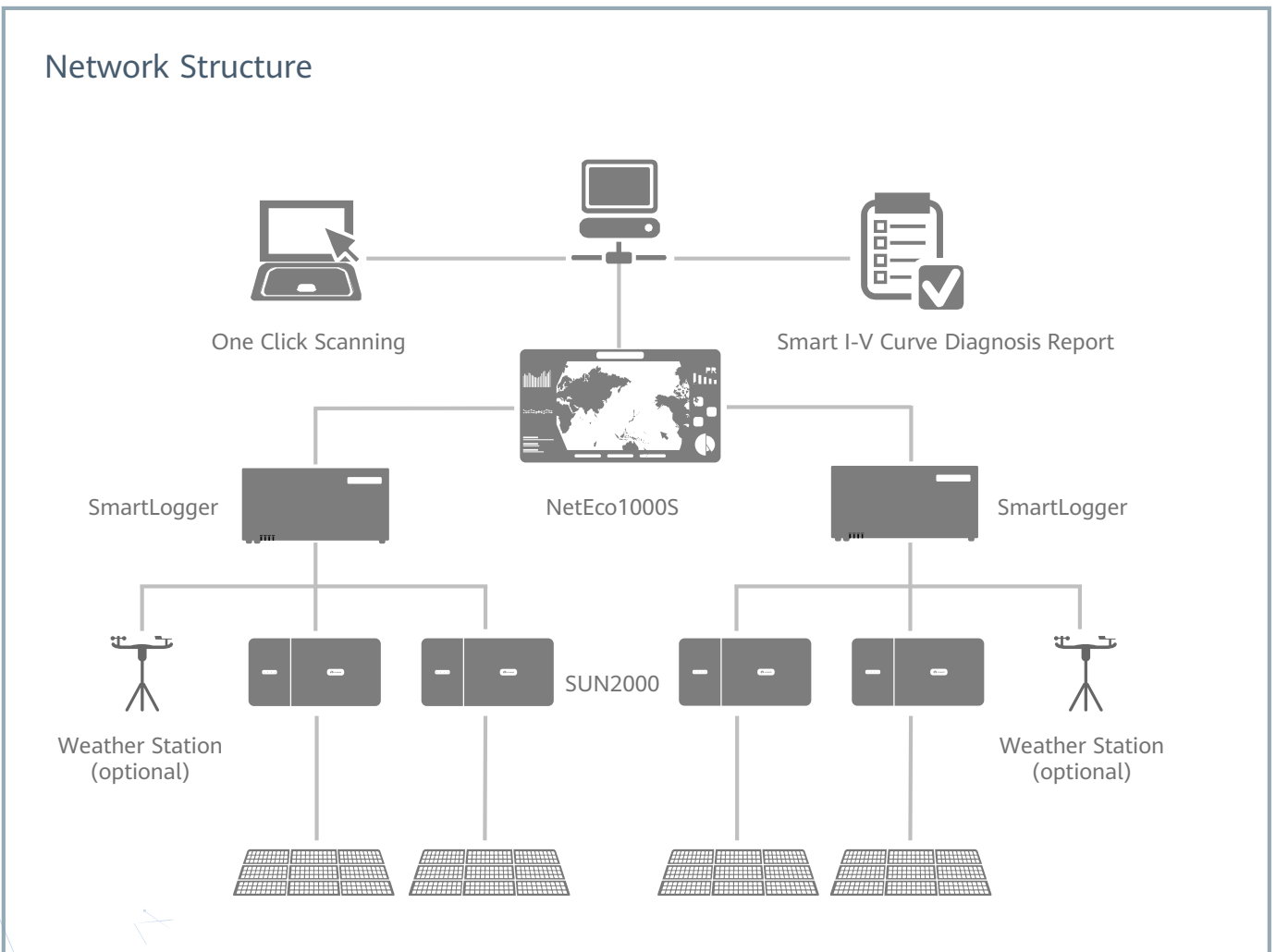


Efficient

One-click scanning without onsite experts or equipment

Completing online I-V curve scanning on all strings of 100 MW plant within 15 minutes

Network Structure

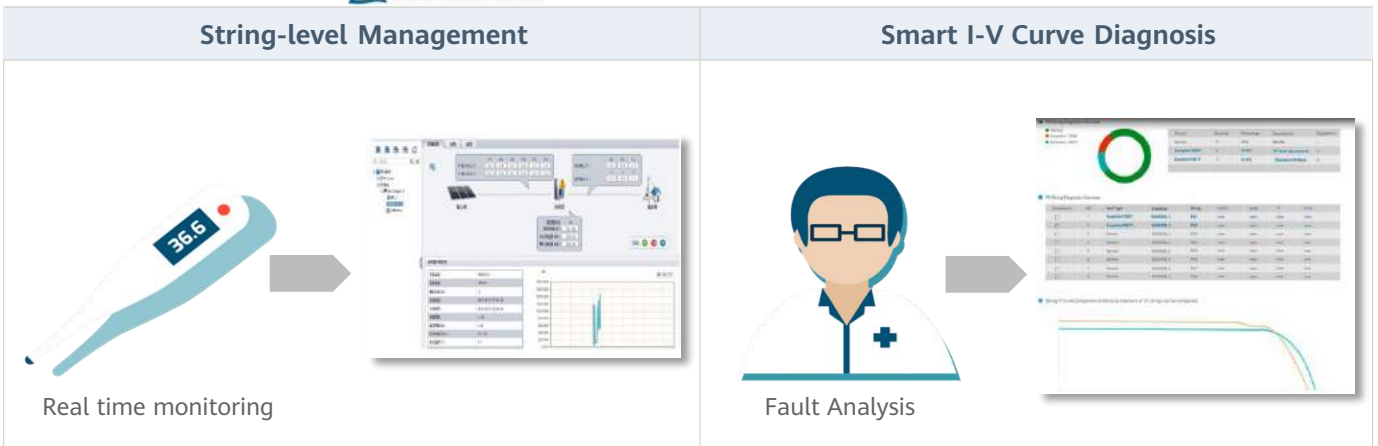


Smart I-V Curve Diagnosis

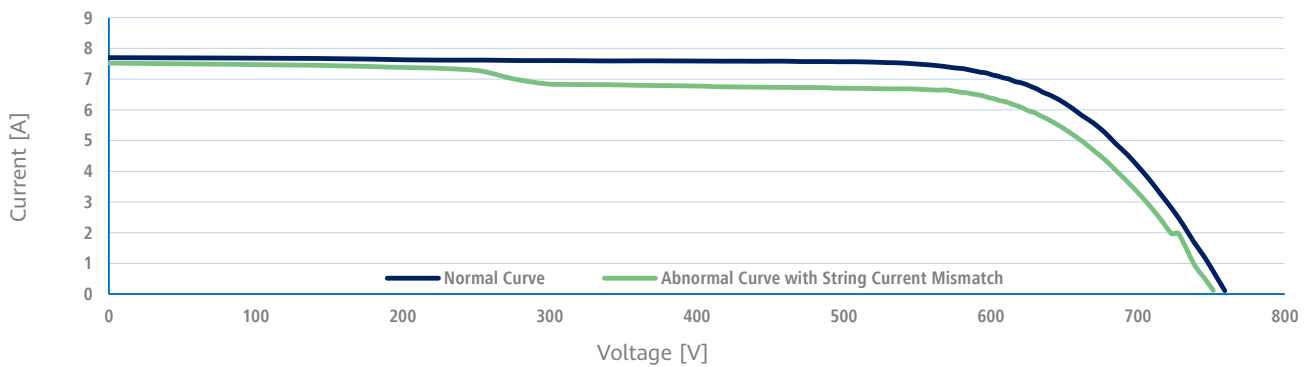
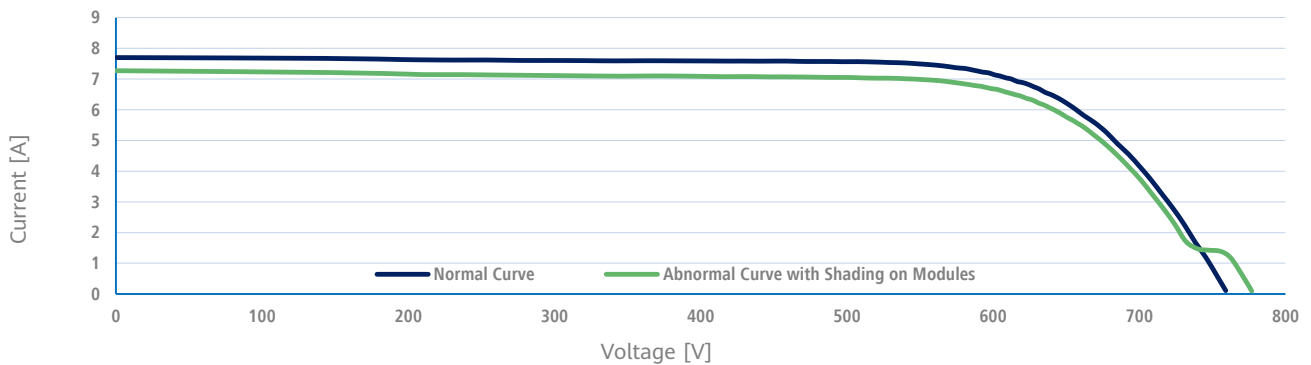
Technical Specifications	
Smart String Inverter	SUN2000-33KTL-A, SUN2000-36KTL, SUN2000-60KTL-M0, SUN2000-105KTL-H1, SUN2000-100KTL-M1, SUN2000-185KTL-H1
Data Logger	SmartLogger3000A, SmartLogger2000, SmartLogger3000B
Management System	NetEco1000S
Scanning Time	< 1s per string
Sampling Points per I-V Curve	128
Voltage Accuracy	0.5%rdg. + 1dgt. (rdg.>5, dgt.= 0.3)
Current Accuracy	0.5%rdg. + 2dgt. (rdg.>0.3, dgt.= 0.006)



Smart I-V Curve Diagnosis is TUV Verified



String I-V Curve Comparison





©BayWa r.e.

Don Rodrigo, Spain
Ground-mounted Smart PV Plant

Capacity
175 MW

Inverter Model
SUN2000-100KTL, 60KTL-HV



Nees, Denmark
Ground-Mounted Smart PV Plant

Capacity
40 MW

Inverter Model
SUN2000-36KTL



Rilland, Zeeland, Netherlands
Ground-Mounted Smart PV Plant

Capacity
11.7 MW

Inverter Model
SUN2000-60KTL-HV



Milton Keynes, UK
Ground-Mounted Smart PV Plant

Capacity
10 MW

Inverter Model
SUN2000-60KTL-HV



Krempendorf, Germany
Ground-Mounted Smart PV Plant

Capacity
20 MW

Inverter Model
SUN2000-42KTL



MerleSud+Sénéguier, France
Ground-Mounted Smart PV Plant

Capacity
24 MW

Inverter Model
SUN2000-60KTL-HV



Şanlıurfa, Turkey
Ground-mounted Smart PV Plant

Capacity
12 MW

Inverter Model
SUN2000-60KTL-M0



Karaganda, Kazakhstan
Ground-mounted Smart PV Plant

Capacity
40 MW

Inverter Model
SUN2000-60KTL-HV



Viborillas, Mexico
Ground-mounted Smart PV Plant

Capacity
100 MW

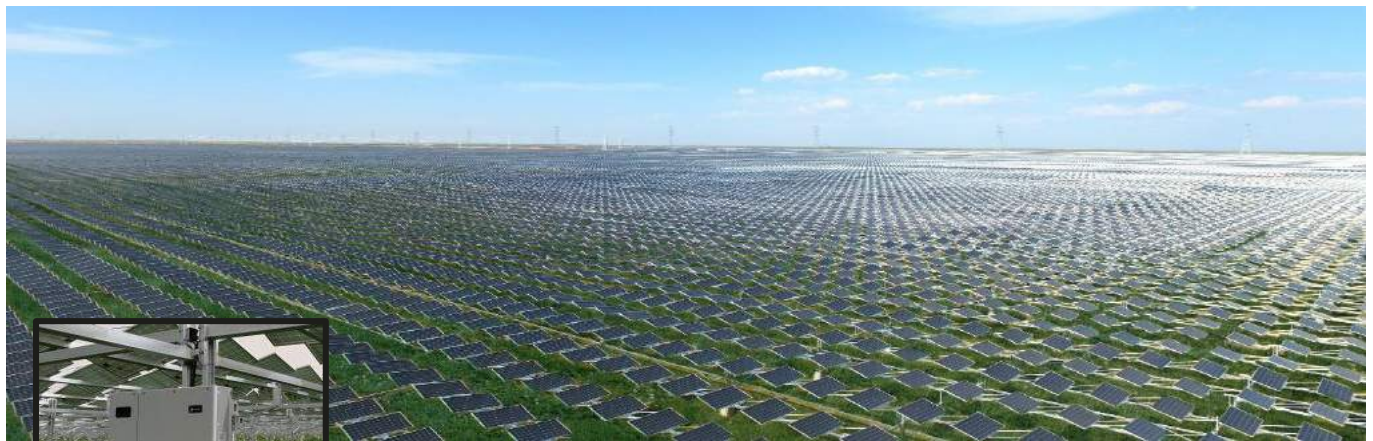
Inverter Model
SUN2000-60KTL-HV



Yanchi, Ningxia, China
Largest Single PV Plant Worldwide

Capacity
1 GW

Inverter Model
SUN2000-40KTL



Hongdunzi, Ningxia, China
Largest Tracking System PV Plant Worldwide

Capacity
700 MW

Inverter Model
SUN2000-50KTL



Haining, Zhejiang, China
Largest Rooftop-mounted PV Plant Worldwide

Capacity
300 MW

Inverter Model
SUN2000-28KTL,36KTL,50KTL



Delingha, Qinghai, China
Ground-mounted Smart PV Plant

Capacity
200 MW

Inverter Model
SUN2000-100KTL



Haixing, Hebei, China
Ground-mounted Smart PV Plant

Capacity
62 MW

Inverter Model
SUN2000-100KTL



Sihong, Jiangsu, China
Water Surface Smart PV Plant

Capacity
100 MW

Inverter Model
SUN2000-100KTL



Copyright © Huawei Technologies Co., Ltd. 2019. All rights reserved.

No part of this document may be reproduced or transmitted in any form or by any means without prior written consent of Huawei Technologies Co., Ltd.

Trademark Notice



HUAWEI, HUAWEI, and  are trademarks or registered trademarks of Huawei Technologies Co., Ltd.

Other trademarks, product, service and company names mentioned are the property of their respective owners.

General Disclaimer

The information in this document may contain predictive statements including, without limitation, statements regarding the future financial and operating results, future product portfolio, new technology, etc. There are a number of factors that could cause actual results and developments to differ materially from those expressed or implied in the predictive statements. Therefore, such information is provided for reference purpose only and constitutes neither an offer nor an acceptance. Huawei may change the information at any time without notice.

HUAWEI TECHNOLOGIES Düsseldorf GmbH

Südwestpark 60, 90449 Nürnberg, Germany

Tel: +49 911 255 22 3053

Fax: +49 911 255 22 3090

Hotline: +80 03 38 88 888

eu_inverter_support@huawei.com

HUAWEI TECHNOLOGIES CO., LTD.

Huawei Industrial Base, Bantian Longgang

Shenzhen 518129, P.R. China

Tel.: 400-822-9999

solar.huawei.com